



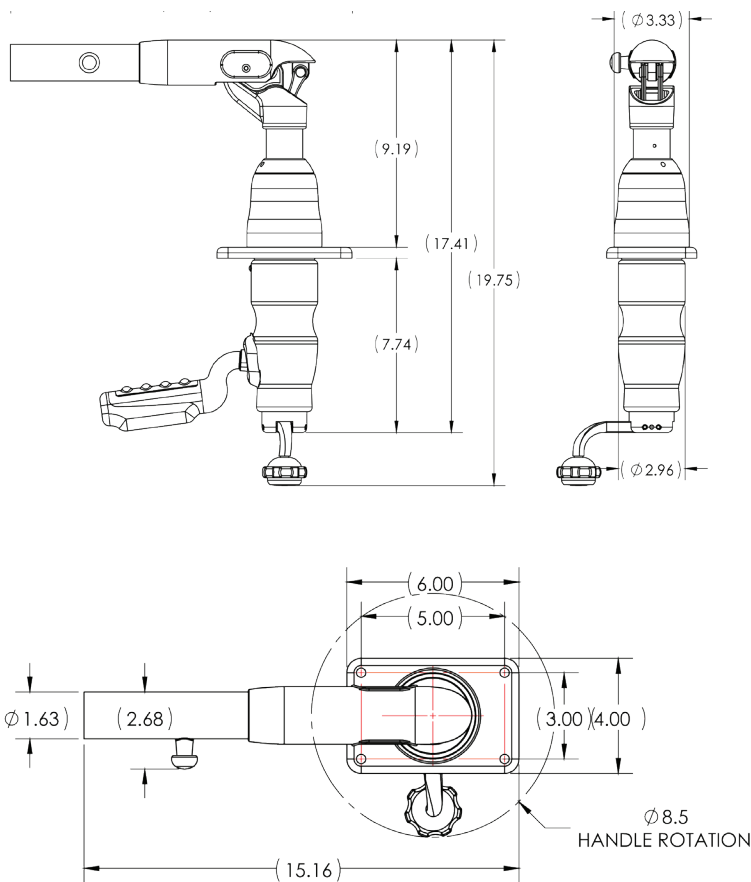
GS-390 HEAVY-DUTY OUTRIGGER MOUNT



Introducing the newest addition to our line of heavy-duty Grand Slam Outrigger Mounts, the GS-390. We took all the durable, dependable features of the popular GS-380 and incorporated a more robust gusset and thicker arm to withstand the torque and pressure created when using longer outrigger poles. This base is perfect for the bigger, faster center console boats between 25' and 40'. Anglers can easily deploy an outrigger's vertical lift and horizontal rotation from the boat deck in rough seas. Additionally, the GS-390 comes equipped with our secure pin-locking technology and pairs well with TACO's Deluxe Aluminum and Carbon Fiber Tele-Outriggers.

FEATURES & BENEFITS

- Stronger gusset support and thicker arm for enhanced durability
- Elevation crank handle provides lift from under the T-top
- Allows for horizontal rotation from under the T-top
- Offset handle for better hand clearance
- Cast stainless steel Type-316L and machined aluminum construction
- Strong locking head allows perfect positioning
- Pairs with TACO Deluxe Aluminum or Carbon Fiber Tele-Outriggers
- Tested and proven quality
- Sleek appearance
- Maximum thickness of T-top is 2-5/8"
- **Also available in XL for hardtops up to 4-1/2"**



PART NUMBER	DESCRIPTION	UNIT	WEIGHT
GS-390	Grand Slam 390	Pair	35 lbs. EA